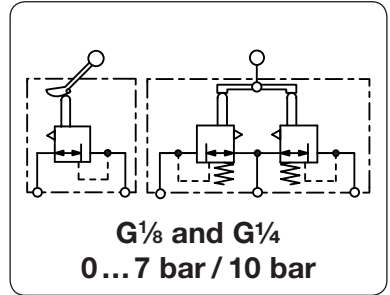


# Lever-Operated Pressure Regulator

RN

Description	
Lever mechanism allows the diaphragm regulator to operate as a proportional converter with pneumatic outlet signal. Moving the lever by 141° (RN1) or 32° (RN2) allows full-range adjustment of regulated pressure, e.g. from 0 to 7 bar.	
Media compressed air or non-corrosive gases	
<b>Supply pressure</b>	<b>RN1</b> max. 16 bar <b>RN2</b> max. 10 bar
<b>Adjustment</b>	by side lever 0...141° angle range without spring reset
<b>Relieving function</b>	relieving with spring reset in centre position
<b>Gauge port</b>	G $\frac{1}{8}$ on both sides of the body, screw plugs supplied
<b>Mounting position</b>	any
<b>Temperature range</b>	-40 °C to 80 °C / -40 °F to 176 °F
<b>Material</b>	Body: nickel-plated brass Elastomer: NBR/Buna-N



Dimensions			Description	Flow rate	Connection thread	Pressure range	Order number
A	B	C					
mm	mm	mm		m $^3$ /h*1	l/min	G	bar

Regulator with side lever								supply pressure max. 16 bar, relieving, brass	RN1
45	81	10	without spring reset	18	300	G $\frac{1}{4}$	0... 10	RN1-02D	



RN1

Regulator with vertical lever								supply pressure max. 10 bar, relieving, aluminium	RN2
70	205	12	spring-centered	12	200	G $\frac{1}{8}$	0... 7	RN2-01ZC	
			centre-engaging				0... 7	RN2-01RC	
50	91	12	on/off switch				max. 20	RN2-01EIN	

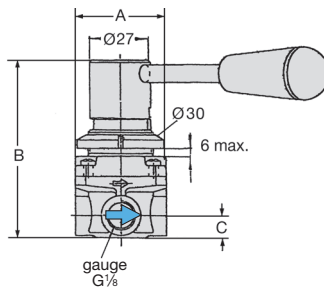
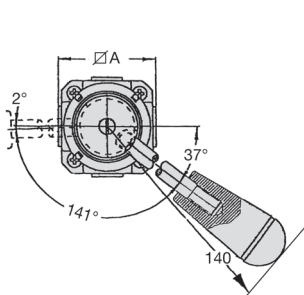


RN2-01ZC

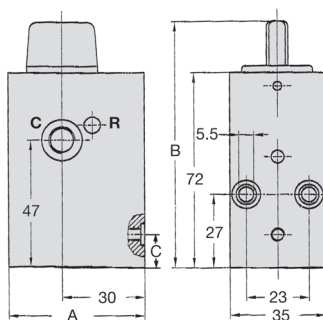
RN2-01EIN

## Special options, add the appropriate letter

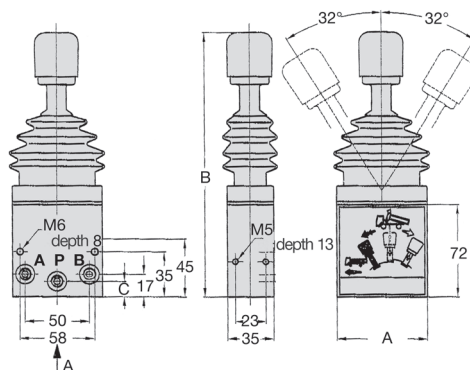
for oxygen specially cleaned, with oxygen grease for RN1 RN1-02.15



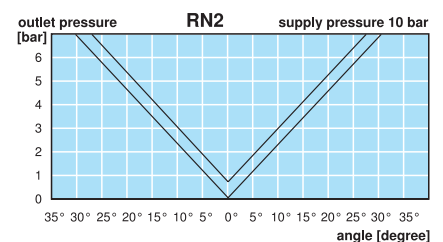
RN1



RN2-01EIN



RN2-01.C



\*1 at 7 bar supply pressure and 6 bar outlet pressure

- RN2: also available with 3/2 or 5/2 valves
- also available with pushbuttons
- combination with electrical switch possible
- further variations on request

PDF CAD  
www.aircom.net

Order example:  
RN1-02A



Pressure regulator